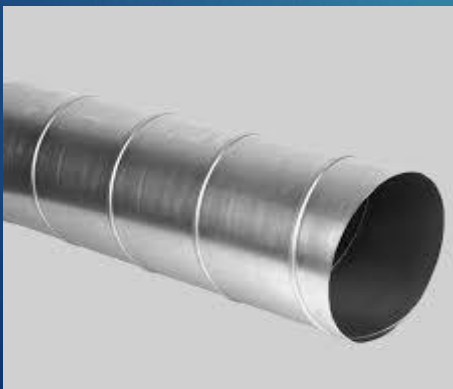


Spiral Tubes Pvt LTD

One Stop Solution for all your
Ducting needs



Manufacturer Of Rectangular Spiral And Flat Oval
Ducts

Rectangular Ducts



Rectangular Ducts Advantages

- Takes up less height
- Easily connects Coil Fan to main duct
- Better for low pressure systems

Specification

Thickness : 0.5mm to 1.2mm
Galvanized Steel, Aluminum,
Stainless Steel



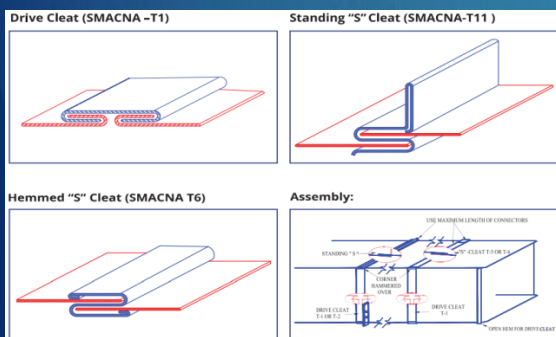
As per clients request these material can be sent to site in L Shaped Profiles or Boxed Up Sections

Rectangular Ducting Recommended Specifications

SMACNA - 2005

IS 655 1963 & 2006

Duct Sizes mm	Operation Pressure Pa						Low Pressure		Medium Pressure	
	250		500		1000		Gauge	Connector Type	Gauge	Connector Type
	Gauge	Connector Type	Gauge	Connector Type	Gauge	Connector Type	Gauge	Connector Type	Gauge	Connector Type
0-450	26	C&S	26	TDF	26	TDF	26	C & Standing S / TDF	22	TDF
451-750	26	C&S	26	TDF	24	TDF	24	C & Standing S / TDF	20	TDF
751-900	26	TDF	24	TDF	22	TDF	22	C & Standing S / TDF	20	TDF
901-1000	26	TDF	24	TDF	20	TDF	22	TDF	20	TDF
1001-1200	24	TDF	22	TDF	18	TDF	22	TDF	20	TDF
1201-1300	24	TDF	20	TDF	18	TDF	22	TDF	18	TDF
1301-1500	24	TDF	18	TDF			22	TDF	18	TDF
1501-1800	22	TDF	18	TDF			20	TDF	18	TDF
1801-2100	20	TDF	18	TDF			20	TDF	18	TDF
2101-2200	18	TDF	18	TDF			20	TDF	18	TDF
2201-2400	18	TDF	18	TDF			18	TDF	18	TDF
2401-2700	18	TDF					18	TDF	18	TDF



C & S Cleats

TDF Flange

Angular Flange

Plain Round Ducts



Plain Round Ducts have a longitudinal seam unlike Spiral Duct which has a spiral seam

- Efficient way of conveying air with low pressure drop, which translates to less fan horsepower.
- Better acoustic performance because the curved surfaces allow less breakout noise.
- Better aesthetic look (if exposed).
- Lower initial installation cost.



Duct Size	Gauge	Thickness
0-24"	24G	0.6mm
25-36"	22G	0.8mm
37-50"	20G	1mm
>50"	18G	1.2mm

Specification

Diameter 250mm to 1400mm

Thickness : .6mm to 1.2mm

Material : Galvanized Steel ,
Aluminum, Stainless Steel

